

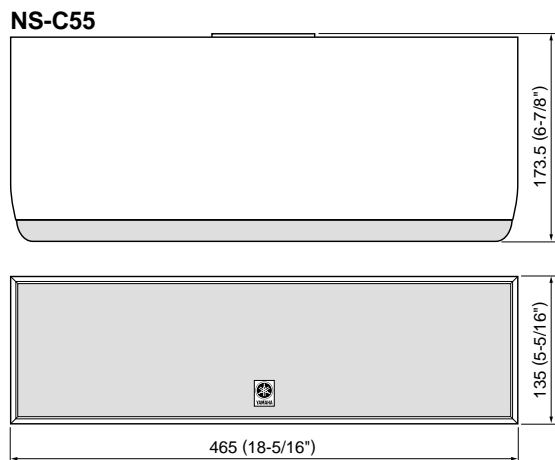
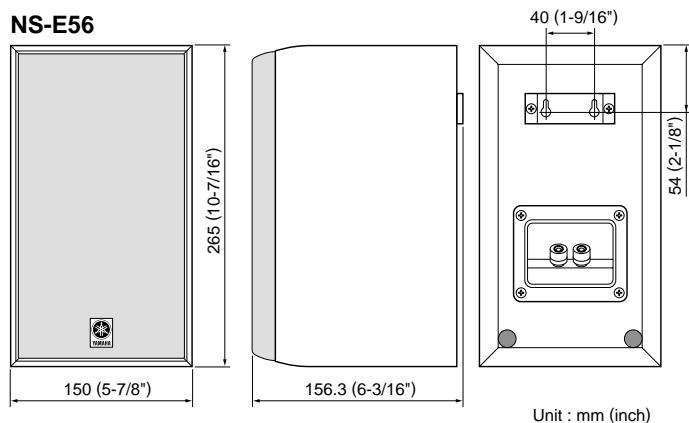
SPEAKER SYSTEM NS-P165

NS-P165

SERVICE MANUAL

The NS-P165 consists of 4 units of the NS-E56 and 1 unit of the NS-C55. It is available only as a set and not by individual unit.

■ DIMENSIONS



■ SPECIFICATIONS

NS-E56
Type 2-way acoustic-suspension speaker system
 Magnetic shielding type
Driver **Woofer** 10 cm (4") cone type
 Tweeter 2.2 cm (3/4") dome type
Nominal Input Power 50 W
Maximum Input Power 150 W
Impedance 6 Ω
Frequency Response 80 Hz – 30 kHz
Sensitivity 90 dB/2.83 V/m
Crossover Frequency 5 kHz
Finish Black / Cherry
Dimensions (W x H x D) 150 x 265 x 156.3 mm
 (5-7/8" x 10-3/8" x 6-3/16")
Weight 2.3 kg (5 lbs. 2 oz.) / 1 piece
Accessories Speaker cable (4 m) x 2, (10 m) x 2

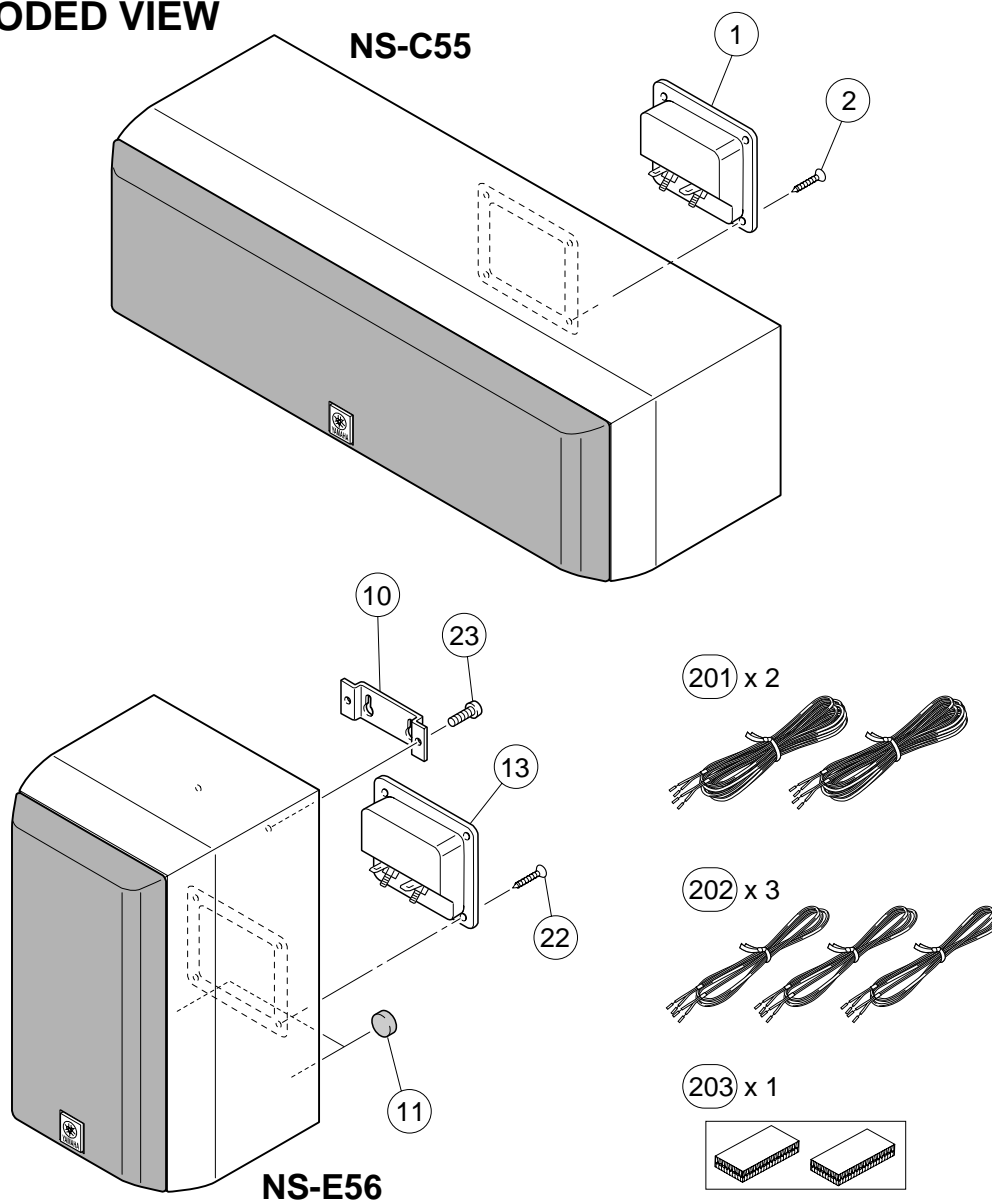
NS-C55
Type 2-way acoustic-suspension speaker system
 Magnetic shielding type
Driver **Woofer** 10 cm (4") cone type x 2
 Tweeter 2.2 cm (3/4") dome type
Nominal Input Power 60 W
Maximum Input Power 180 W
Impedance 6 Ω
Frequency Response 70 Hz – 30 kHz
Sensitivity 91 dB/2.83 V/m
Crossover Frequency 5 kHz
Finish Black / Cherry
Dimensions (W x H x D) 465 x 135 x 173.5 mm
 (13-5/16" x 5-5/16" x 6-13/16")
Weight 3.5 kg (7 lbs. 11 oz.)
Accessories Speaker cable (4 m) x 1, Fastener x 2

* Specifications are subject to change without notice due to product improvements.



このサービスマニュアルは、エコマーク認定の再生紙を使用しています。
 This Service Manual uses recycled paper.

EXPLODED VIEW



PARTS LIST

Ref. No.	PART NO.	Description	Remarks	Markets
1	V4106400	SPEAKER TERMINAL	203-TST-S14BC	
2	EN230180	OVAL HEAD TAPPING SCREW	3.5x16 MFC2BL	
10	V5361200	BRACKET	1pc	
11	VY893800	INSULATOR		
13	V5361300	SPEAKER TERMINAL	2P	
22	V5537900	OVAL HEAD TAPPING SCREW #1	3.5x16 MFZN2BL	
23	VB132700	BIND HEAD SCREW	4x12 MFZN2BL	
		ACCESSORIES		
201	V5681200	SPEAKER CORD	10m 1pc	
202	VT704200	SPEAKER CORD	4.0m 1pc	
203	V4903800	FASTENER TAPE	2pairs/set	

* New Parts